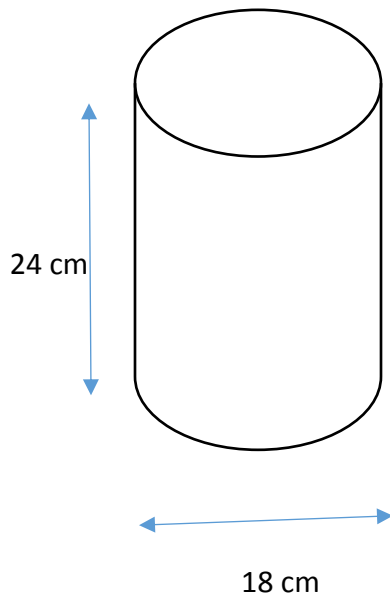


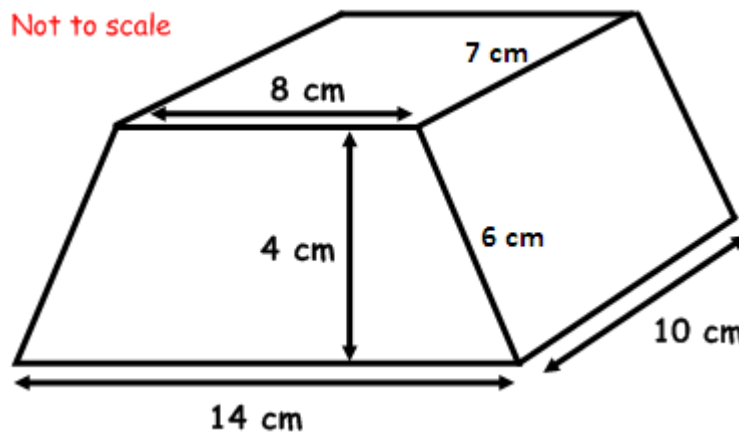
## Worksheet: Measurement

1. The diagram below, not drawn to scale, shows a hollow cylindrical container with height 24 cm and diameter 18 cm.



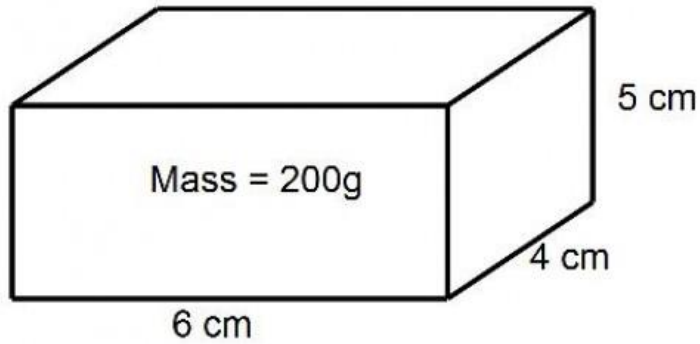
- (a) Using  $\pi = \frac{22}{7}$ , calculate for the container :
- (i) the circumference;
  - (ii) the area of the curved surface;
- (b) If 1.4 litres of water is poured into the cylinder, calculate correct to 1 decimal place, the height of the water in the container.

2. The diagram below, not drawn to scale, shows the cross section of a rectangular-based prism. Find the surface area of the shape.

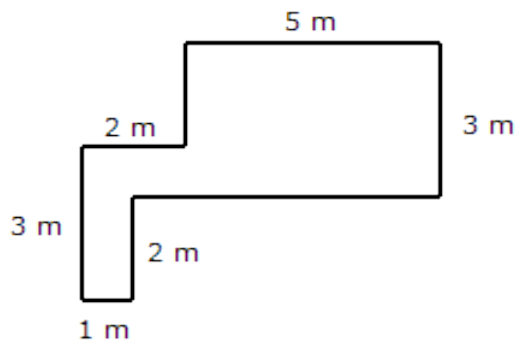


## Worksheet: Measurement

3. A solid block of metal of mass 200 g, is in the form of a cuboid as shown in the diagram below ( not drawn to scale).



- (i) Calculate the surface area of the metal;  
(ii) Find the volume of the block of metal;  
(iii) Calculate, in grams, the mass of one cubic centimetre of the metal.
4. The diagram below is a scale drawing of Fifi's outside garden.



- (a) Determine the perimeter of the garden;  
(b) Calculate the area of the garden.